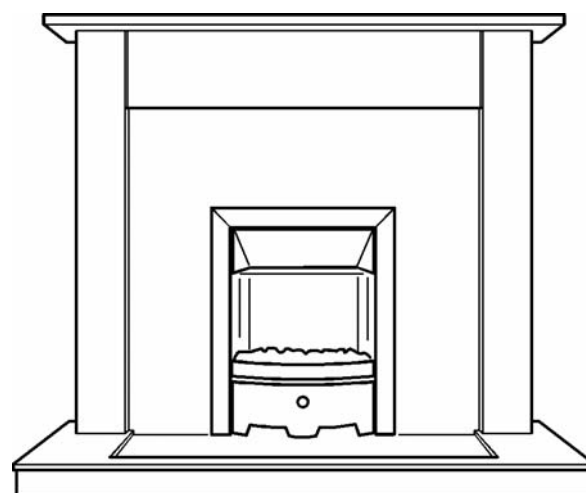
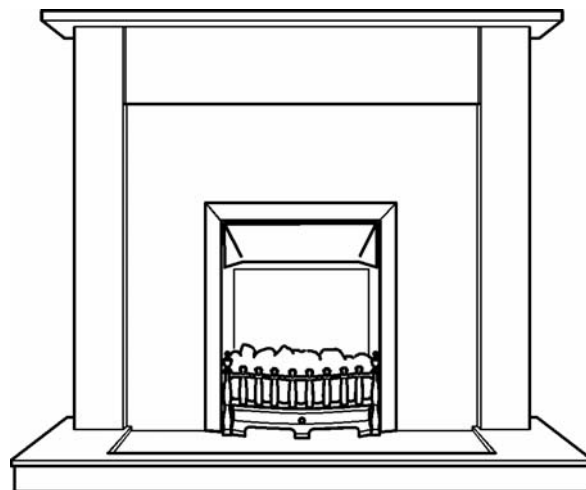


VALOR FIRES

INSTALLATION GUIDE

Buxton,
Medway,
Teviot,
Thames or
Trent.

Electric Suite



This surround and hearth set is intended for use with electric heaters only.
It must never be used with a gas fire.

This guide should be read in conjunction with the installer and owner guides supplied with the heater.

This guide is intended to help you install your suite. Please read carefully before installing. However, if further information is required, our **Valor Fires Technical Helpline** will be pleased to help.

Telephone **0844 8711 565** (National call rates apply in the United Kingdom)
In the Republic of Ireland call **0044 844 8711 565**.

BAXI ● VALOR ● WONDERFIRE

Important: Please keep your guide in a safe place for future reference.

INSTALLATION GUIDE

© Baxi Heating U.K. Limited 2010.

All rights reserved. No part of this publication may be reproduced in any material form (including photocopying), stored in any medium by electronic means (including in any retrieval system or database) or transmitted, in any form or by any means, whether electronic, mechanical, recording or otherwise, without the prior written permission of the copyright owner.

Applications for the copyright owner's permission to reproduce any part of this publication should be made, giving details of the proposed use, to the following address: The Company Secretary, Baxi Heating UK Limited, The Wyvern Business Park, Stanier Way, Derby, DE21 6BF.

Warning: Any person who does any unauthorised act in relation to a copyright work may be liable to criminal prosecution and civil claims for damages.

VALOR FIRES

Valor Fires, Erdington, Birmingham B24 9QP
www.firesandstoves.co.uk

Because our policy is one of constant development and improvement, details may vary slightly from those given in this publication

INSTALLATION GUIDE

SAFETY

- The surround and hearth set are for use with electric heaters only. It must never be used with a gas fire.
- When drilling into brick work always wear safety goggles, a dust mask, and always work in a well ventilated area.
- Keep children clear of work area.
- Always read this guide in conjunction with the guide supplied with the heater.
- Always tidy loose electrical leads in the work area.
- Always switch off electric power when not needed.
- The suite must always be fixed into position.

HANDLING AND UNPACKING

Before continuing any further with the installation of this suite please read the following:

Important instructions.

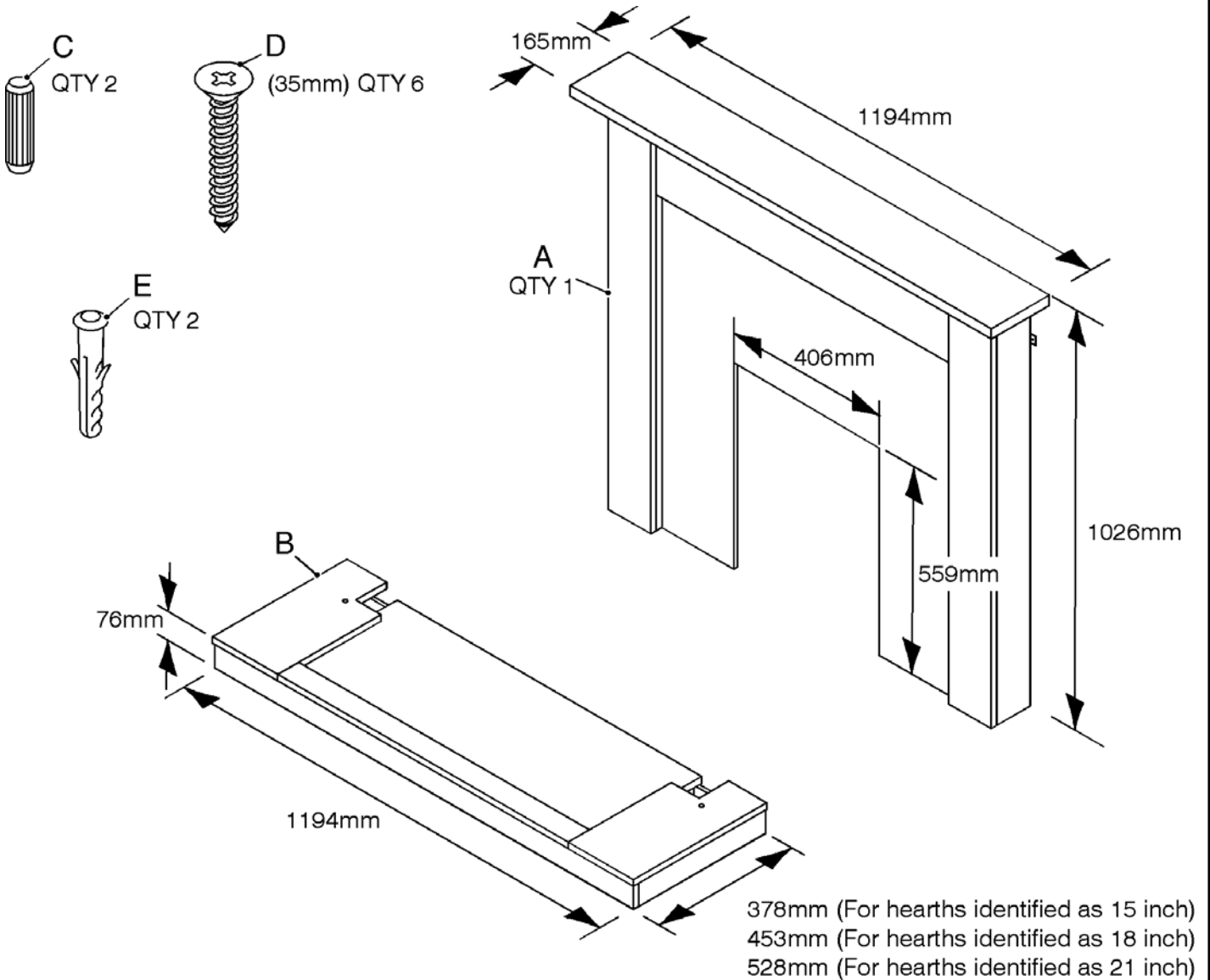
- The approximate lifting weight of the suite components without the lower fascia fitted is as below:

Mantle / surround with heater	25.0 kg
Hearth - 15 inch	9.0 kg
Hearth - 18 inch	10.5 kg
Hearth - 21 inch	12.0 kg
Packing base	8.5 kg

- We recommend two people should be sufficient to lift the surround. If for any reason this weight is considered too heavy then obtain assistance.
- When lifting always keep your back straight. Bend your legs and not your back.
- Avoid twisting at the waist. It is better to reposition your feet.
- Avoid upper body / top heavy bending. Always bend from the knees rather than the waist. Do not lean forward or sideways whilst handling.
- Always grip with the palm of the hand. Do not use the tips of fingers for support.
- Always keep the suite as close to the body as possible. This will minimise the cantilever action.
- Use gloves to provide additional grip.
- Always use assistance if required.

INSTALLATION GUIDE

CONTENTS



On models identified as having a 15 inch hearth, the hearth may be supplied fitted to the surround.

Figure 1. Contents (Items are not to scale. Any components extra to those above can be discarded - The heater is not shown for clarity).

INSTALLATION GUIDE

FITTING THE SURROUND / MANTLE AND HEARTH

The installation of this suite requires a reasonable level of DIY skills. Please read this guide thoroughly before commencing installation and if in doubt, seek help from a competent person

Do I need any tools?

You will need the following tools :

- A Pozidrive / Phillips / cross head screwdriver. This should have a number 2 size tip.
- If drilling into brick work you will need a power drill (preferably with hammer action) and appropriate size drill bit for the wall plugs supplied.

Unpacking.

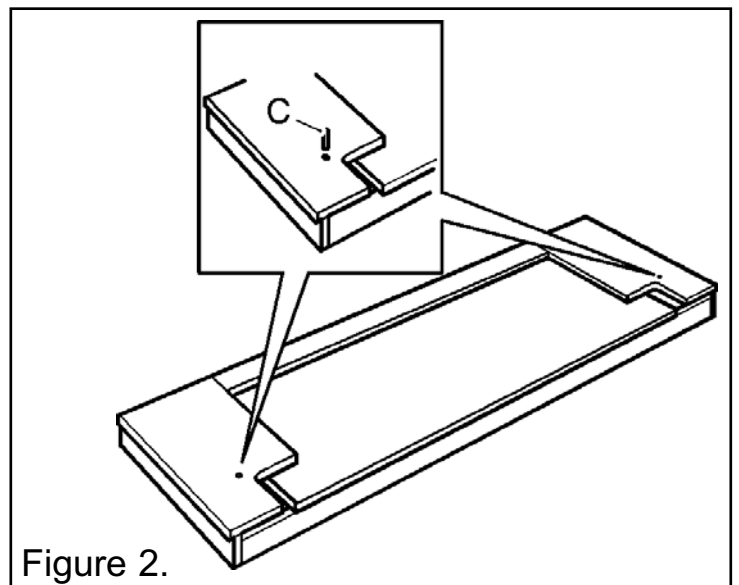
- After removal of the outer packaging and hearth pack, unscrew and remove the four screws securing the surround / mantle to the packing base. It is important that these screws are discarded or placed away from the work area. **DO NOT USE THESE SCREWS TO SECURE THE SURROUND TO THE HEARTH.**

On models identified as having a 15 inch hearth, the hearth may be supplied fitted to the surround. In such cases, proceed to step 3.

How to assemble the suite.

Step 1

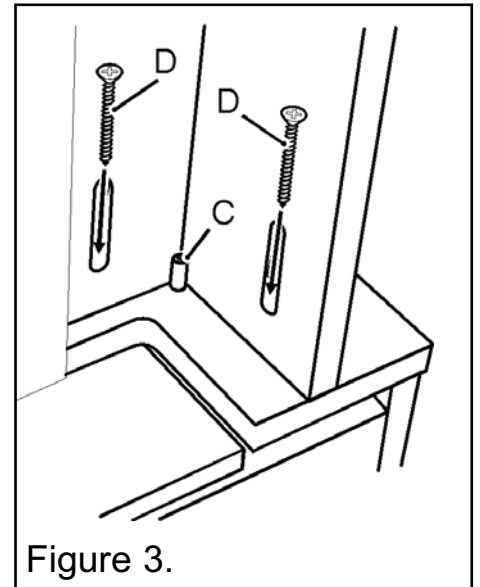
- The top of the hearth has two round holes. Insert a wooden dowel into each hole as in figure 2.



INSTALLATION GUIDE

Step 2

- Place the surround onto the hearth so that the corners of the surround legs rest against the dowels in the hearth. Secure the surround using four screws (D) (See figure 3).



Step 3

Securing the suite.

The installer and owner guide supplied with heater gives the option of securing the heater with cable. This method must not be used to secure the suite.

The wall fixing brackets are already fitted to the suite. If necessary these can be moved. When moving the brackets always use the removed screws as they are the correct length and type. Longer screws may damage the suite.

- Position the suite in place. Mark the positions of the bracket holes on the wall. Move the suite aside and drill suitable sized holes for the wall plugs supplied. Insert the wall plugs (E). Position the suite in place and secure using two screws (D).
Note: The wall plugs are only suitable for brick or block walls. For timber framed walls covered in plaster board we recommend the use of heavy duty cavity fixings.

Operating the heater.

Follow the operating instructions contained in the installer and owner guide supplied with the heater.

VALOR FIRES